



SKF



# SKF TMHC 110E

Instructions for use  
Mode d'emploi  
Bedienungsanleitung  
Instrucciones de uso  
Manuale d'istruzioni  
Bruksanvisning

Gebruiksaanwijzing  
Instrucções de utilização  
Brugervejledning  
Käyttöohje  
Οδηγίες χρήσης

## EU-DECLARATION OF CONFORMITY

We, SKF Maintenance Products, Kelvinbaan 16, 3439 MT Nieuwegein, The Netherlands, declare that the

### ADVANCED PULLER KIT TMHC 110E

has been designed and manufactured in accordance with:  
DIRECTIVE 98/37/EC OF THE EUROPEAN PARLIAMENT AND OF THE COUNCIL of 22 June 1998  
on the approximation of the laws of the Member States relating to machinery.

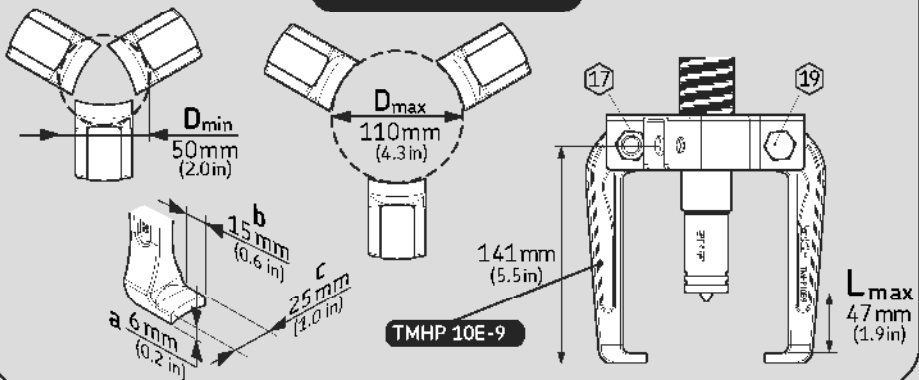
The Netherlands, 28 January 2005



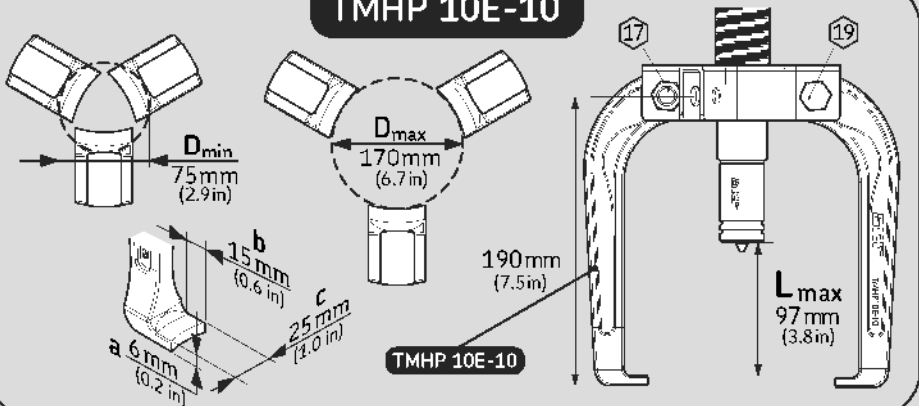
*Ebbe Malmstedt*

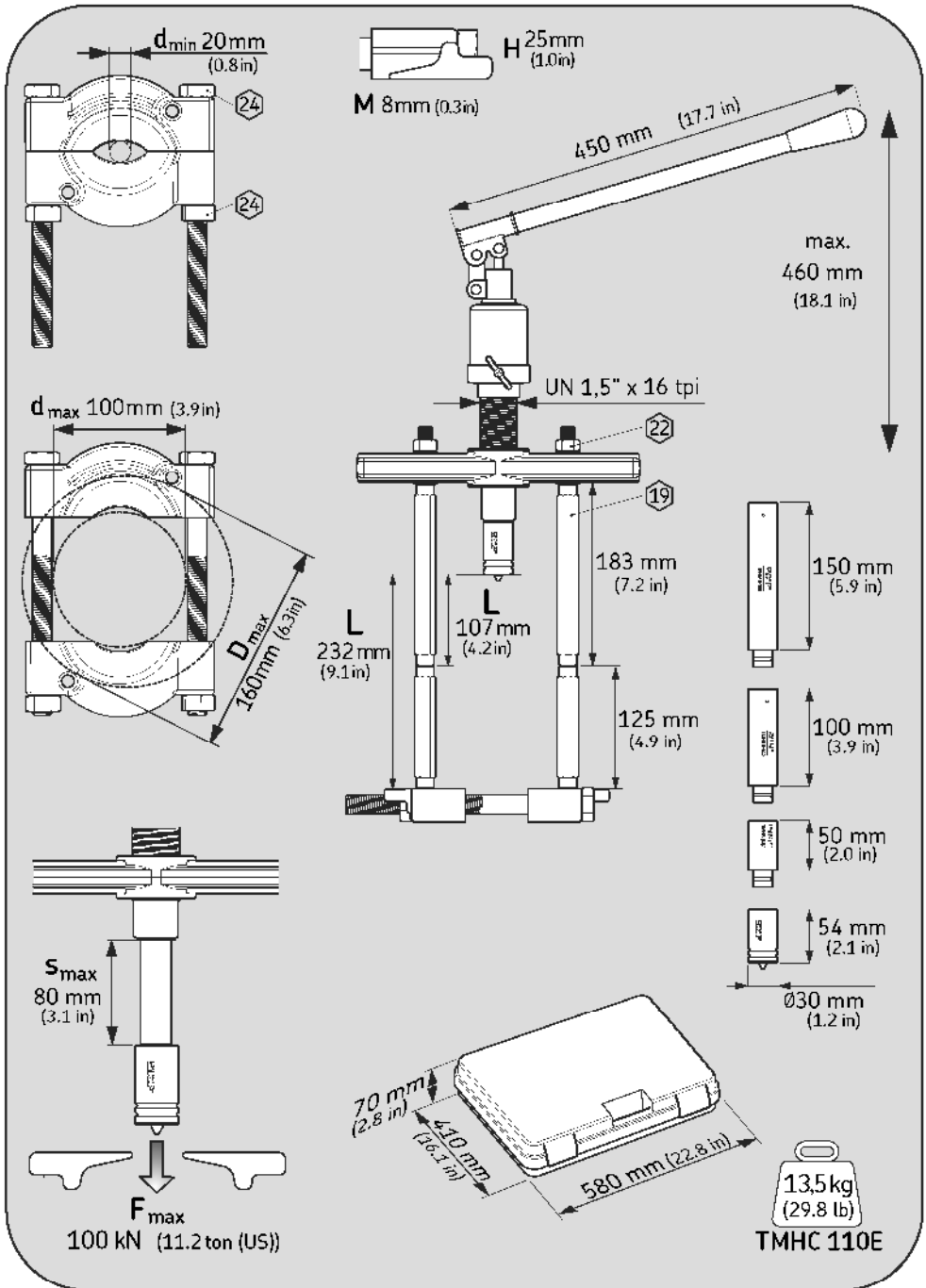
Ebbe Malmstedt  
Manager Product Development and Quality

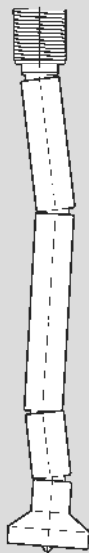
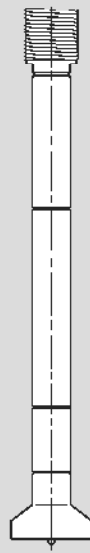
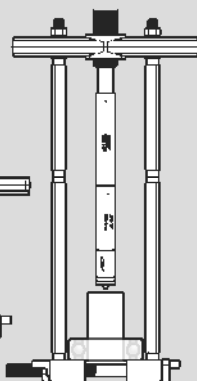
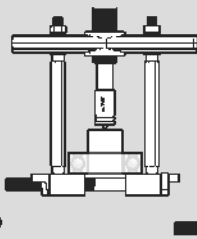
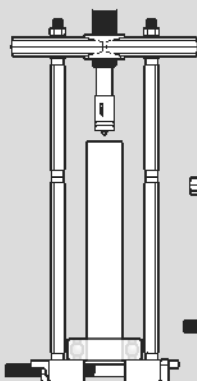
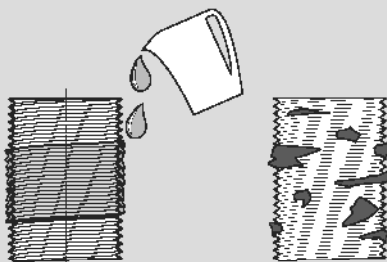
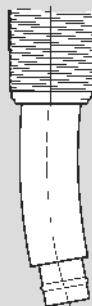
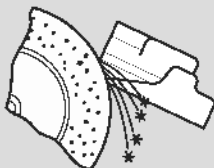
### TMHP 10E-9

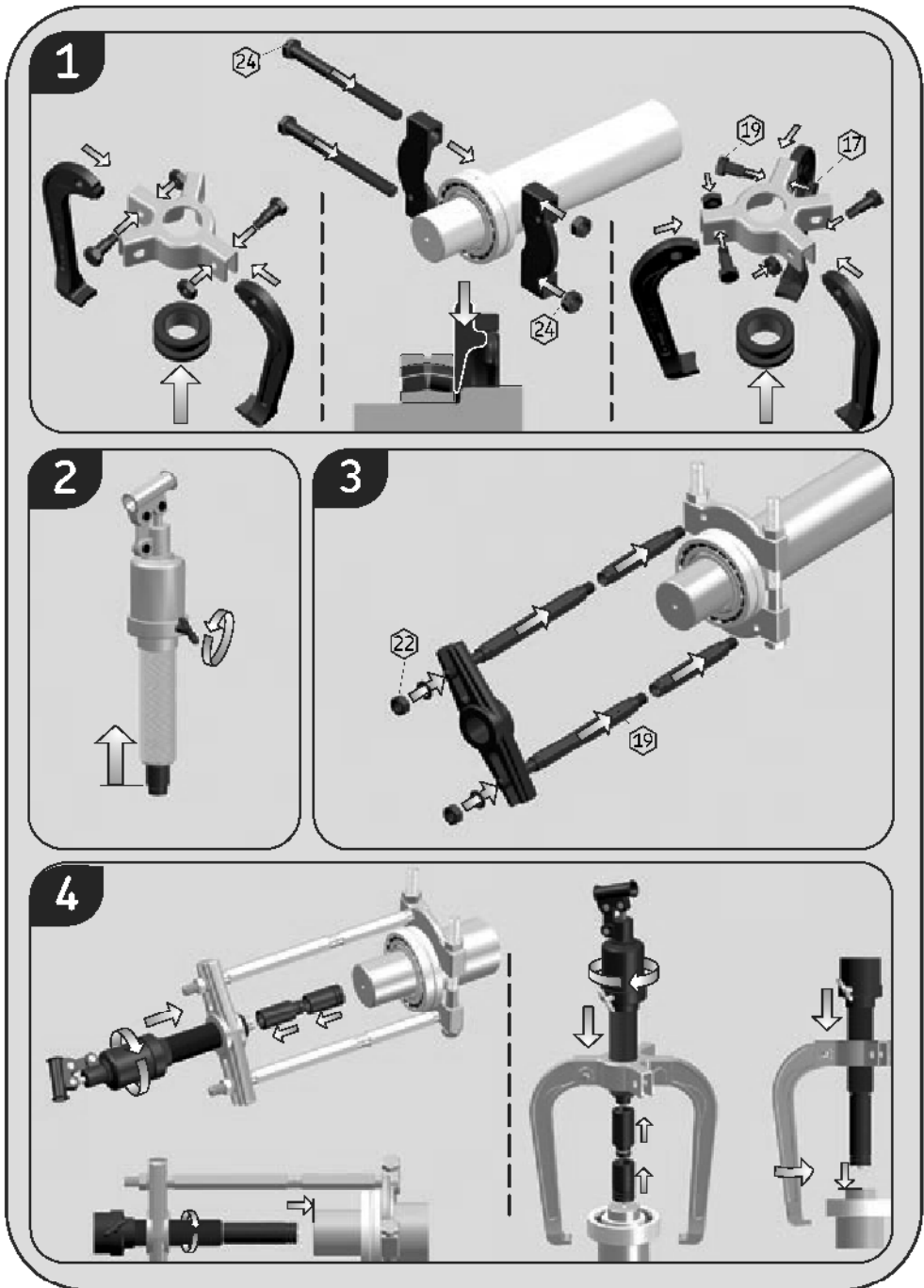


### TMHP 10E-10

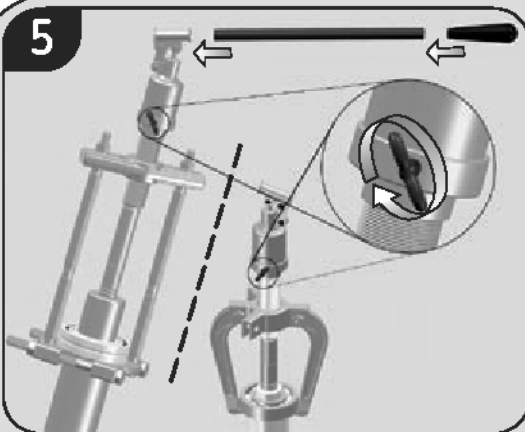




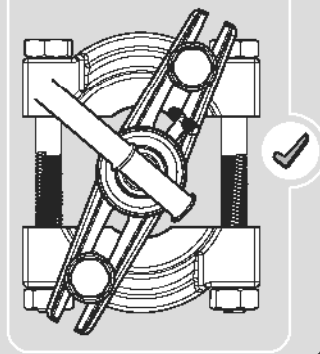
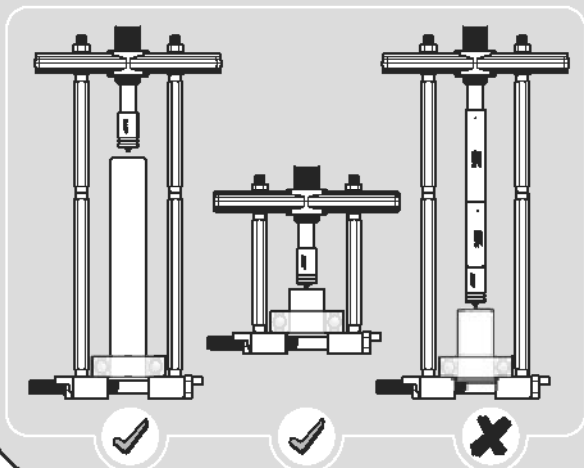
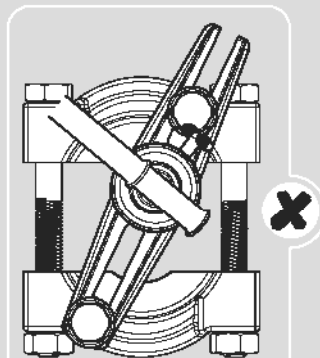
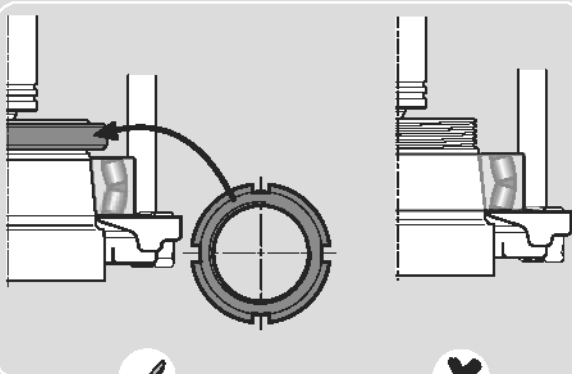
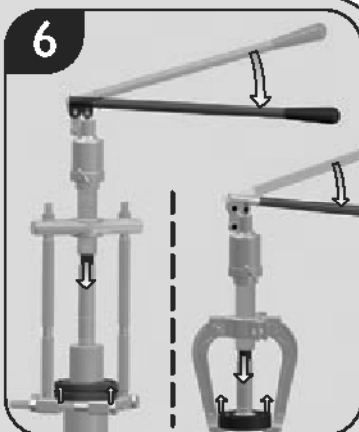




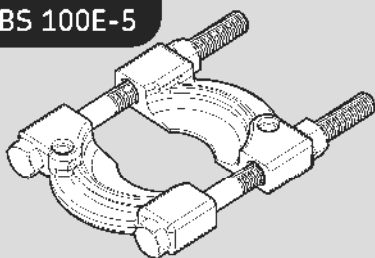
5



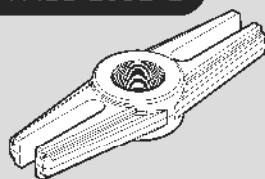
6



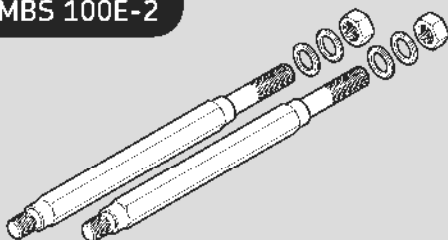
TMBS 100E-5



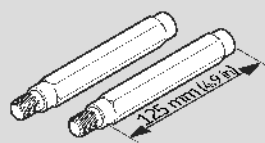
TMBS 100E-1



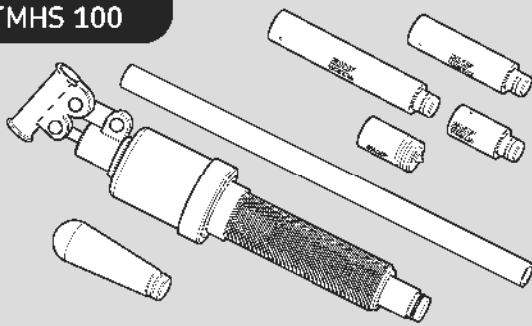
TMBS 100E-2



TMBS 100E-3



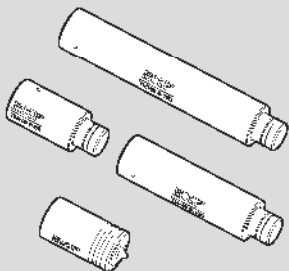
TMHS 100



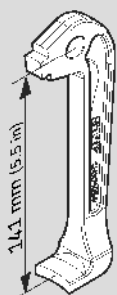
TMHP 10E-10



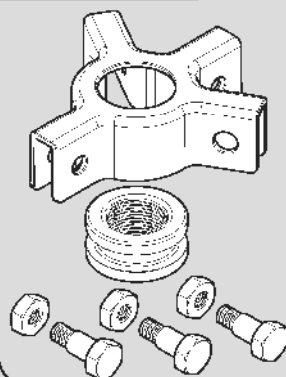
TMHS 8T



TMHP 10E-9



TMHP 10E-5



*In line with our policy of continuous development of our products we reserve the right to alter any part of the above specification without prior notice. Although care has been taken to ensure the accuracy of this publication, SKF does not assume any liability for errors or omissions.*

*I overensstemmelse med vor politik for kontinuerlig udvikling af vore produkter forbeholder vi os ret til at ændre på hvilken som helst af de i brochuren nævnte specifikationer, uden at meddele dette i forvejen. Desuden tages der forbehold for eventuelle trykfejl.*

*Gemäß unserer Firmenpolitik der ständigen Weiterentwicklung unserer Produkte behalten wir uns Änderungen der obigen Daten ohne Vorankündigung vor.*

*En línea con nuestra política de constante desarrollo de nuestros productos, nos reservamos el derecho a modificar cualquier parte de las especificaciones sin previa notificación.*

*Conformément à notre politique de développement continu de nos produits, nous nous réservons le droit de modifier, sans préavis, tout ou partie des spécifications ci-dessus.*

*In linea con la nostra politica di sviluppo continuo dei prodotti ci riserviamo il diritto di apportare modifiche senza preavviso a qualsiasi parte della presente documentazione.*

*In verband met onze politiek van continue ontwikkeling van onze producten, behouden wij ons het recht voor om de specificaties van de vermelde onderdelen te wijzigen zonder nota vooraf.*

*Em linha com a nossa política de desenvolvimento contínuo dos nossos produtos, reservamo-nos o direito de alterar este catálogo sem aviso prévio.*

*Tavoitteenamme on tuotteidemme jatkuva kehittäely. Pidätämme siksi oikeuden etukäteen ilmoittamatta muuttaa yllä olevia erittelyjä.*

*I linje med vår policy för kontinuerlig utveckling av våra produkter förbehåller vi oss rätten att ändra ovanstående specifikationer utan att meddela i förväg.*

**Σύμφωνα με την πολιτική της συνεχούς ανάπτυξης των προϊόντων μας, διατηρούμε το δικαίωμα να αλλάζουμε οποιοδήποτε μέρος των παραπάνω χαρακτηριστικών χωρίς προειδοποίηση.**

## SKF Maintenance Products

© Copyright SKF 2006/02

[www.mapro.skf.com](http://www.mapro.skf.com)  
[www.skf.com/mount](http://www.skf.com/mount)

MP5280

